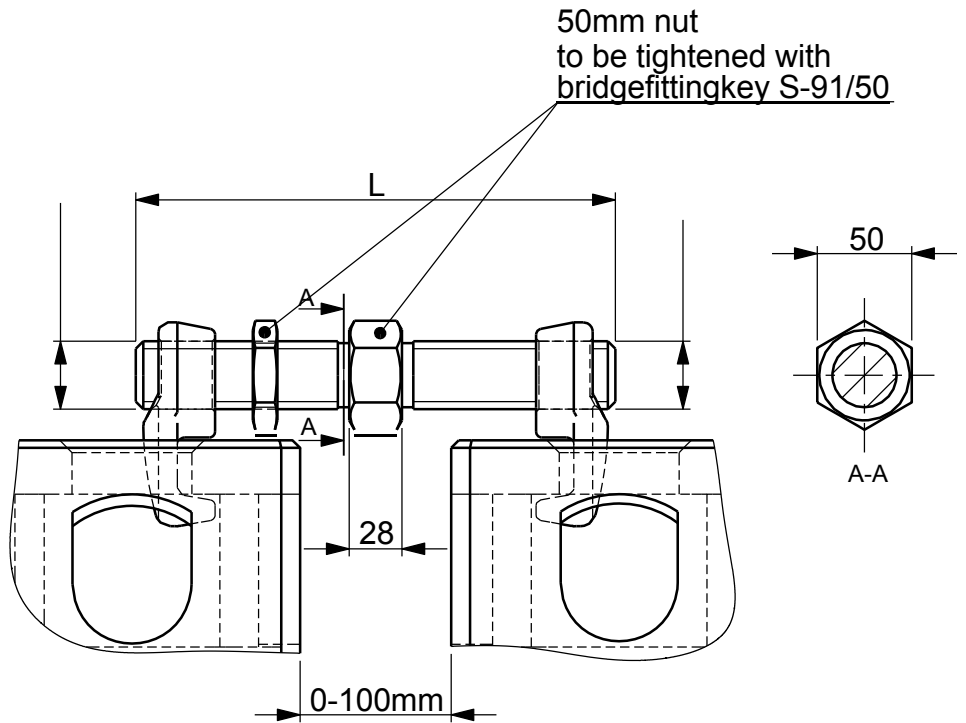
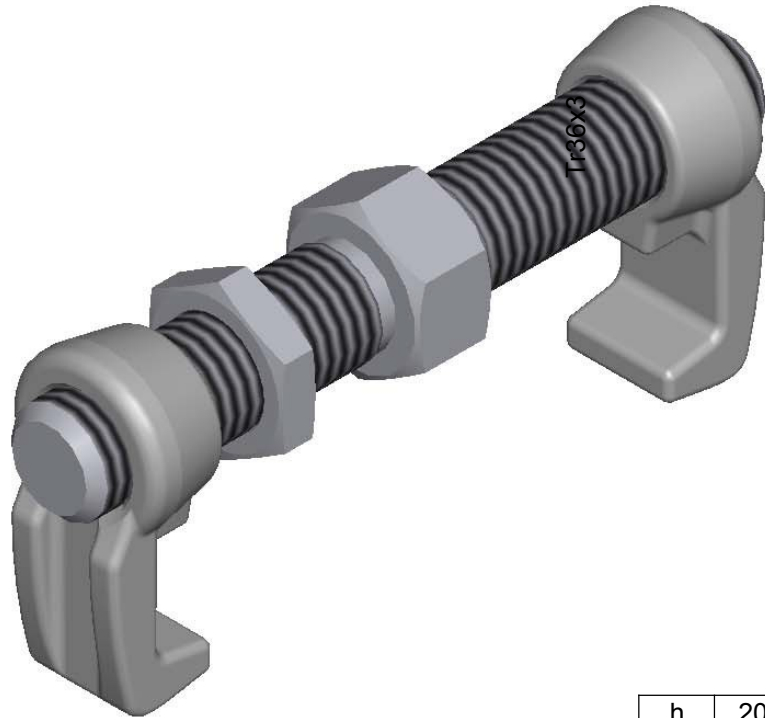


Tr36x3LH



TYPE	L	Weight [kg]
CL-1/50/254	254	3.5
CL-1/50/381	381	4.4
CL-1/50/L	L is according to order	

h	20/09/12	SB	Info update									
g	28/09/11	FTS	General update									
Mod.	Date	Check	Description									
Scale	1:4	Strength (kN):		Weight	See table	Material	Cast steel	Finish	Galvanised			
Drawing Size	A4	MSL	Tension	50	Compr.							
			PL									
			BL	100								
Description							Project					
Bridgefitting												
Drawn	Canters E 27/06/97		Check	Zwysen P 28/07/98		Reference no.	CL-1/50		Page	1	Mod.	h