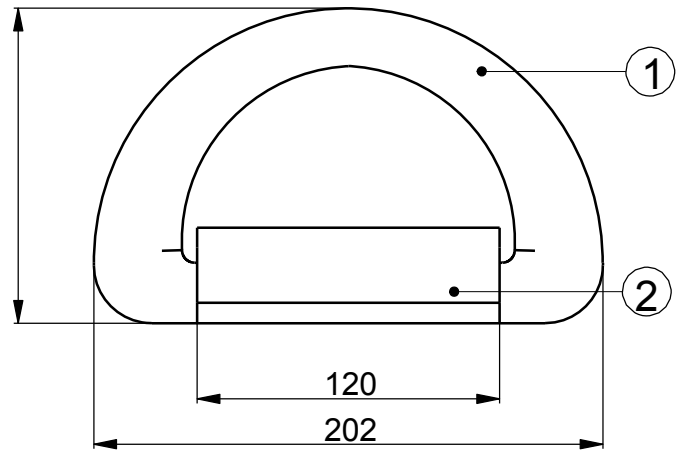
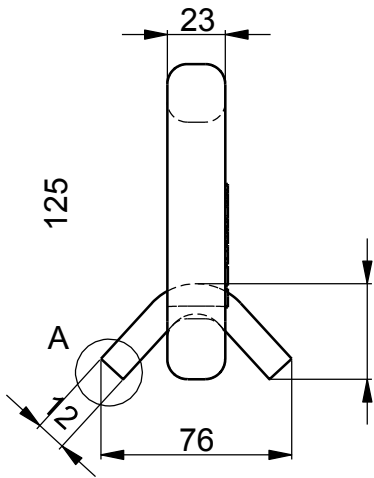


38



- 1. Ring: LE-1X/36/GI
- 2. Strap: LE-1Y/36/GI

Welding specification



DETAIL A
SCALE 1 : 1



2

a	05/10/12	SB	LE-1X/36 updated
---	----------	----	------------------

Mod.	Date	Check	Description
------	------	-------	-------------

Scale	1:3	Strength (kN):	Weight	3.06	kg	Material	Steel	Finish	Phosphated
-------	-----	----------------	--------	------	----	----------	-------	--------	------------

	MSL	180	-	-		
	PL	198	-	-		
	BL	360	-	-		

Description						Project			
D-Ring & Clamp									

Drawn	SB 21/09/12	Check	TVP 21/09/12	Reference no.	LE-1/36/GI	Page	1	Mod.	a
-------	----------------	-------	-----------------	---------------	------------	------	---	------	---