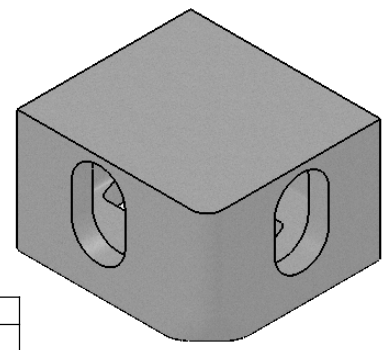


CONTAINER

All drawings for MK-0BL unless stated otherwise.



Item no.	Part	Version
1	MK-0BL	Bottom left
2	MK-0BR	Bottom right
3	MK-0TL	Top left
4	MK-0TR	Top right

f	18/06/2010	PH	extra dimensions acc. to ISO 1161 indicated		
e	01/04/2010	WM	General update		
Mod.	Date	Check	Description		
Scale	1:3	Strength (kN):		Weight	11 kg
	MSL	Tension	Shear	Compr.	
	PL	250			
	BL	500			
Description					Finish
Corner casting					Primed
Drawn Canters E. 31/07/1995 Check Zwysen P. 06/07/2009					Project
Reference no.					-
MK-0...					Page
					1
					Mod.
					f

MOUZALIOTIS CONTAINER