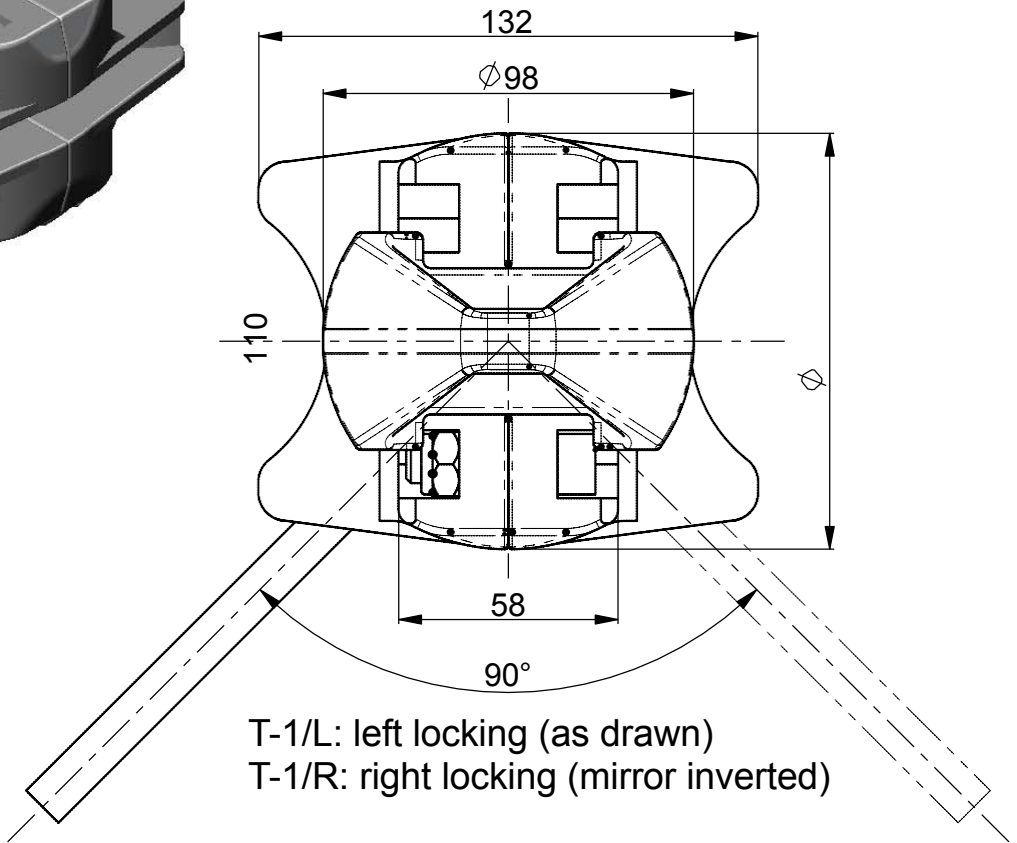
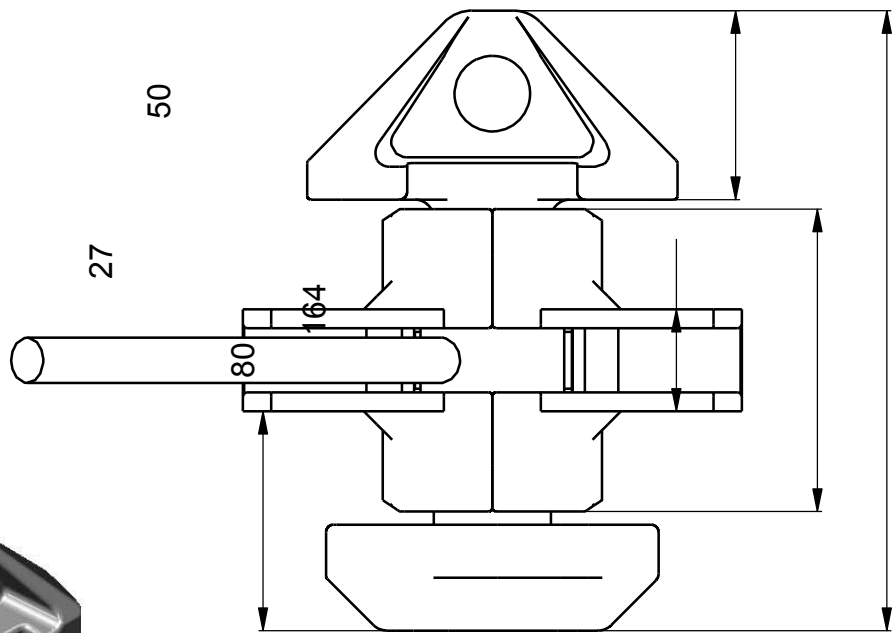
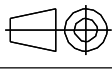
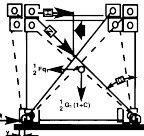



58



i	12/09/12	SB	Dimension update							
h	04/09/12	SB	Type change							
Mod.	Date	Check	Description							
Scale	1:2	Strength (kN):		Weight	4.7 kg	Material	Steel	Finish	Galvanised	
 Drawing Size A4		Tension	Shear	Compr.						
	MSL	250	210							
	PL	375	263							
	BL	500	420							
Description						Project				
Twistlock (3-position)										
Drawn	MS	Check	PZ	Reference no.	T-1		Page	1	Mod.	i
	04/10/05		22/04/09							